



Metrologic®
We really work for you.™

MS2320
full size scanner/scale

MS2320 Series **StratosH™**

StratosH™ is a high performance 6-sided, bioptic scanner/scale for seated and space constrained checkout environments with a patented modular design that provides ease of setup and maintenance ensuring minimum downtime and maximum customer service.

StratosH is Metrologic's 6-sided high performance bioptic scanner/scale series well suited for POS applications supporting narrow enclosures around the vertical tower. StratosH carries a 100 mm (4") below counter depth designed to allow easy integration into most of today's seated and standing checkout environments.

StratosH is a 6-sided, 360° in counter scanner incorporating Stratos advanced scanning architecture and Stratos**SPHERE™** decoding software providing high throughput scanning with minimal need for product orientation.

StratosH comes equipped with Stratos**SCOPE™**, a visual diagnostic indicator providing immediate feedback on scanner condition and a Checkpoint compatible EAS activation antenna for simultaneous EAS security tag deactivation and bar code scanning. Stratos**SCHOOL™** operator training software allows operators to improve scanning technique allowing for greater productivity and safer scanning methods.

Additionally, StratosH features a powered RS232 auxiliary port for integration of a hand-held bar code scanner, flash ROM firmware upgrade capability, MetroSet®2 PC based configuring and sapphire or diamond based horizontal glass.



www.metrologic.com

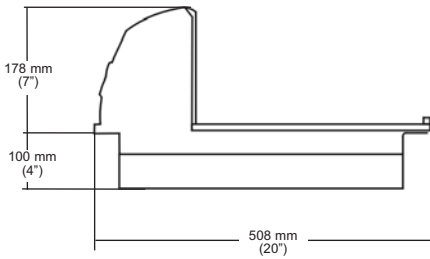
FEATURES

- 6-sided, 360° scanning
- Flash ROM - firmware upgrades via PC
- Stratos**SYNC™** vertical and horizontal scanning zones
- Stratos**SCHOOL™** operator training software
- Stratos**SWAP™** field replaceable optical scanning modules

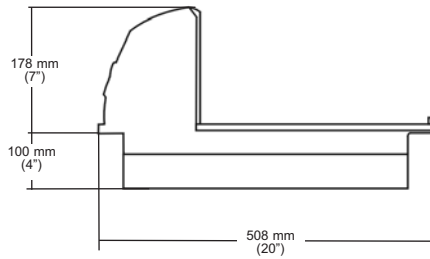
BENEFITS

- Improves productivity and operator ergonomics by reducing product orientation
- Upgrades can be performed at the checkout lane thus lowering the cost of service
- Maintains productivity and uptime via independent scanning zones
- Increases productivity and promotes safer scanning techniques
- Minimizes down time and lowers the cost of service

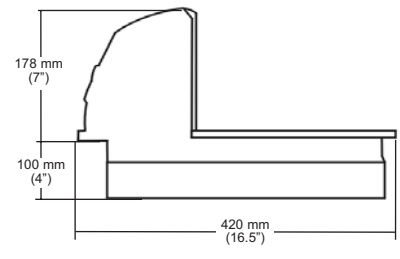
MS2320 full size scanner and scale



MS2321 full size scanner only



MS2322 compact size scanner only



OPERATIONAL

Light Source	Visible Laser Diode 650 nm ± 10 nm	
Laser Power - (horz/vert)	1.1 mW / 1.5 mW	
Motor Speed - (horz/vert)	4800 / 6000 RPM	
Sides Read	6	
Decode Capability	All standard 1-D bar codes, RSS-14, RSS-Expanded, RSS-14 Limited	
System Interfaces	RS-232, Aux. RS-232, IBM468x/469x, USB, OCIA	
Number Characters Read	Up to 80 data characters	
Speaker Operation	7 tones or no beep; 3 volume settings	
Indicators (LED)	Blue = laser on, ready to scan; White = good read, decoding	

MECHANICAL

Length	MS2320 (full size scanner with scale)	508 mm (20")
	MS2321 (full size scanner only)	508 mm (20")
	MS2322 (compact size scanner only)	420 mm (16.5")
Width	292 mm (11.5")	
Depth (below counter)	100 mm (4")	
Height (above counter)	178 mm (7")	
Weight	MS2320 (full size scanner with scale)	11.8 kg (26 lbs)
	MS2321 (full size scanner only)	7.7 kg (17 lbs)
	MS2322 (compact size scanner only)	7.3 kg (16 lbs)

SCALE CHARACTERISTICS

Capacity	15 kg (30 lb)
Minimum increment	0.005 kg (0.01 lb)
Maximum static weight	68 kg (150 lb)
Adjustments required	Calibration only
Applications	Weigh-only and price computing
Scale partners	Avery Weigh-Tronix®, Digi®, Filizola®

ELECTRICAL

Input Voltage	5.2 V @ 1.5 Amps / 12 V @ 1.5 Amp
Power	13.5 W (when scanning); 5 W (standby)
Operating Current	900 mA (5V) / 700 mA (12V)
DC Transformers	Class 1; 5 VDC @ 1.5 A; 12 VDC @ 1.5 A
Laser Class	CDRH & IEC: CLASS 1 laser product according to IEC 60825-1:1993+A1:1997+A2:2001
EMC	FCC, ICES-003 & EN55022 Class A

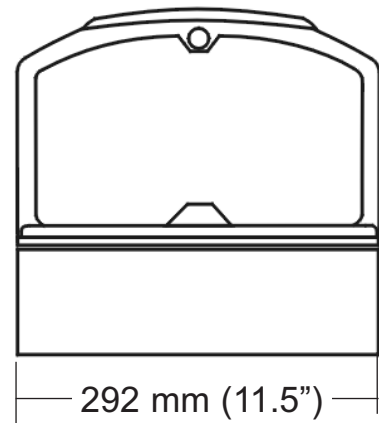
ENVIRONMENTAL

Operating Temperature	0°C to 40°C (32°F to 104°F)
Storage Temperature	-40°C to 60°C (-40°F to 140°F)
Humidity	5% to 95% relative humidity, non-condensing
IP Rating	IP 55
Light Levels	4842 Lux (450 footcandles)
Contaminants	Sealed to resist airborne particulate contaminants
Ventilation	None required

SCAN PERFORMANCE

Depth of Scan Field - (horz)	0 mm - 152 mm (0" - 6") for 0.33 mm (13 mil) bar code
Depth of Scan Field - (vert)	0 mm - 216 mm (0" - 8.5") for 0.33 mm (13 mil) bar code
Scan Speed	6000 scan lines per second
No. of scan lines - (horz/vert)	66 (38 / 28)
Scan Zone	360°
Minimum Bar Width	0.152 mm (6 mil)
Print Contrast	35% minimum reflectance difference
Roll, Pitch, Yaw	360°, 60°, 60°

ALL MODELS



Product Colors Available



MS232X is available in a variety of other colors with minimum quantity purchase



Sunrise 2005 Compliant



Metrologic Instruments, Inc. | **Worldwide Headquarters**
 90 Coles Road | Blackwood, NJ 08012-4683 | www.metrologic.com
 Telephone 856-228-8100 | Fax 856-228-6673 | info@metrologic.com

Asian Headquarters Tel. 65.6842.7155 info@sg.metrologic.com	European Headquarters Tel. 49.89.89019.0 info@eu.metrologic.com	The Americas Headquarters Tel. 1.800.ID.METRO info@us.metrologic.com
--	--	---

Specifications subject to change without notice.
 Printed U.S.A., Copyright January 2006
 Metrologic, All rights reserved.



DS2320

ISO 9001:2000