

MS7625 (stainless steel top plate)



Metrologic[®]
We really work for you.™



MS7600 SERIES **Horizon**[®]

Horizon[®] is a compact in-counter hands free laser bar code scanner designed with a dense 20-line scan pattern that provides fast, efficient throughput.

Each Horizon is equipped with an integrated EAS deactivation antenna. The EAS security tag, designed to reduce shrink, is deactivated and the bar code is scanned with a single pass. These simultaneous operations help improve operator comfort and increase throughput. To further enhance operator efficiency and productivity, Horizon is equipped with IR laser activation. This allows the user to “wake” the unit from a power save or sleep mode and read a bar code instantaneously, without any delay.

Each Horizon includes an RS232 auxiliary port that allows for hand held bar code scanners to be connected providing easy scanning of bulky,

oversized objects. Other peripherals such as check readers or magnetic stripe readers can also utilize the flexibility of the auxiliary port. The Horizon also offers multiple interfaces and data editing making it compatible with almost every POS system on the market today.

The combination of performance, ruggedness, and a myriad of features make the Horizon an ideal choice for grocery, supermarket, retail, coupon redemption, and a multitude of other applications.

www.metrologic.com

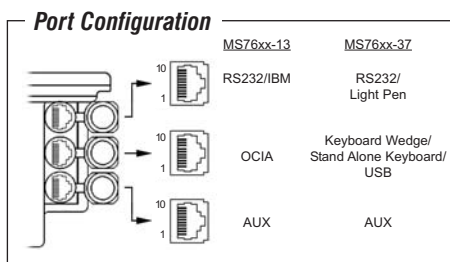
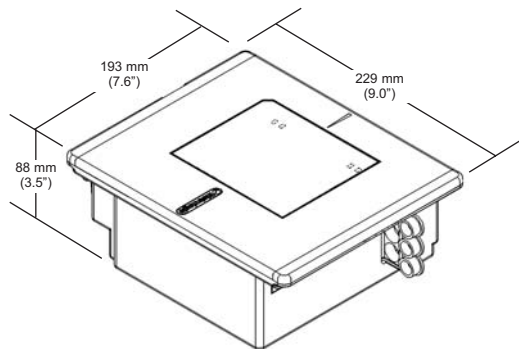


FEATURES

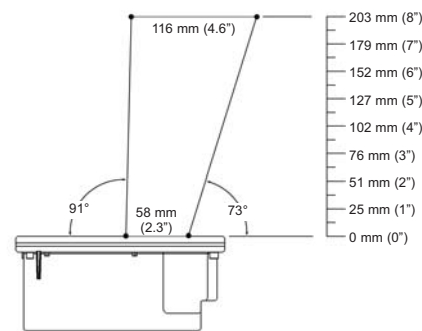
- Durable die-cast construction
- Firmware updates via Flash ROM
- Electronic article surveillance built in
- Field replaceable window
- Auxiliary port

BENEFITS

- Withstands abuse in the harshest environments
- Update firmware from any PC via MetroSet2[®] software provided free by Metrologic
- Reduces shrink
- Fast repairs without removing unit from service
- Connect an external scanner or other peripheral directly to the scanner



Scan Volume



OPERATIONAL

Light Source	Visible Laser Diode 650 nm ± 10 nm
Laser Power	1.1 mW (peak)
Decode Capability	Autodiscriminates all standard bar codes; for other symbologies call Metrologic
System Interfaces	PC Keyboard Wedge, RS232, OCIA, Light Pen Emulation, IBM 468x/469x, Stand Alone PC Keyboard, USB (low speed and full speed)
Number Characters Read	Up to 80 data characters
Beeper Operation	7 tones or no beep
Indicators (LED)	Amber = laser on, ready to scan; Red = good read, decoding

MECHANICAL

Dimensions	193 mm H x 88 mm D x 229 mm W (7.6" H x 3.5" D x 9" W)
Weight	2.88 kg (6.35 lbs)
Termination	Three 10-pin modular RJ45
Cable	Standard 2.1 m (7') straight; for other cables call Metrologic

ELECTRICAL

Input Voltage	5.2 VDC ± 0.25 V
Power	2.6 W
Operating Current	500 mA
DC Transformers	Class II; 5.2 VDC @ 1 A
Laser Class	IEC 60825-1:1993 + A1:1997 + A2:2001 Class 1
EMC	FCC, ICES-003 & EN55022 Class A

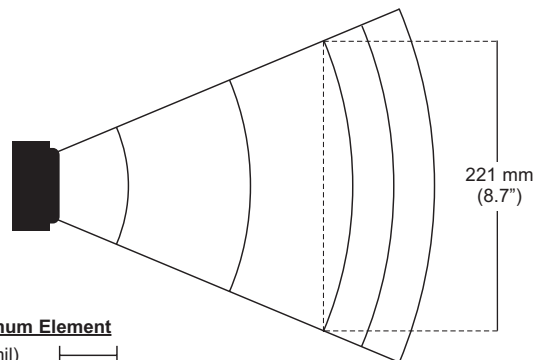
ENVIRONMENTAL

Operating Temperature	0°C to 40°C (32°F to 104°F)
Storage Temperature	-40°C to 60°C (-40°F to 140°F)
Humidity	5% to 95% relative humidity, non-condensing
Light Levels	Up to 4842 Lux (450 footcandles)
Contaminants	Sealed to resist airborne particulate contaminants
Ventilation	None required

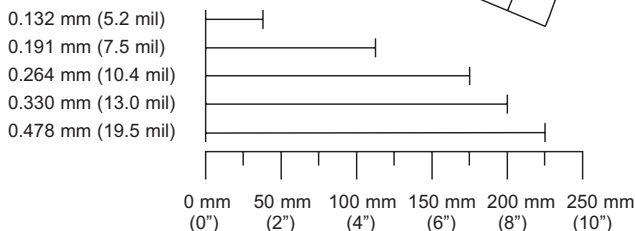
SCAN PERFORMANCE

Depth of Scan Field	0 mm - 203 mm (0" - 8") for 0.33 mm (13 mil) bar code
Width of Scan Field	137 mm (5.4") @ 40 mm (1.6"); 221 mm (8.7") @ 178 mm (7")
Scan Speed	2000 scan lines per second
Scan Pattern	5 fields of 4 parallel lines (omnidirectional)
Number of Scan Lines	20
Minimum Bar Width	0.127 mm (5 mil)
Print Contrast	35% minimum reflectance difference
Roll, Pitch, Yaw	360°, 60°, 60°

Scan Area



Bar Code Minimum Element



Product Colors Available



MS7600 Series is available in a variety of other colors with minimum quantity purchase



Sunrise 2005 Compliant



We really work for you.™

Metrologic Instruments, Inc. | **Worldwide Headquarters**
 90 Coles Road | Blackwood, NJ 08012-4683 | www.metrologic.com
 Telephone 856-228-8100 | Fax 856-228-6673 | info@metrologic.com

Asian Headquarters
 Tel. 65.6842.7155
 info@sg.metrologic.com

European Headquarters
 Tel. 49.89.89019.0
 info@eu.metrologic.com

The Americas Headquarters
 Tel. 1.800.ID.METRO
 info@us.metrologic.com

ISO 9001:2000

Specifications subject to change without notice.
 Printed U.S.A., Copyright March 2006
 Metrologic, All rights reserved.



DS7620